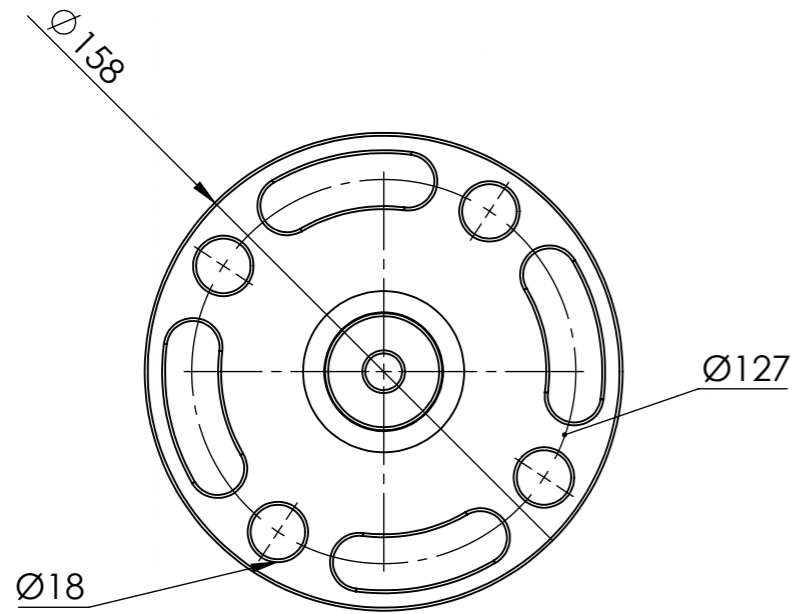
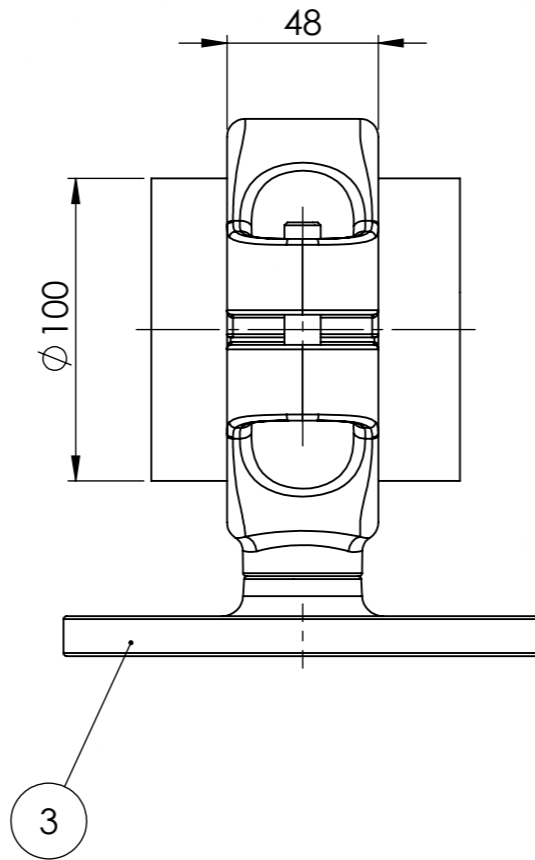
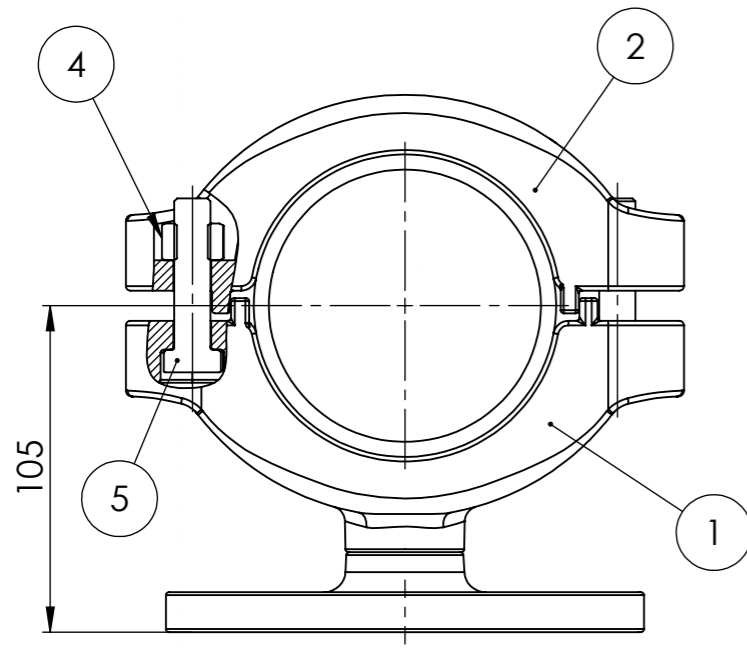
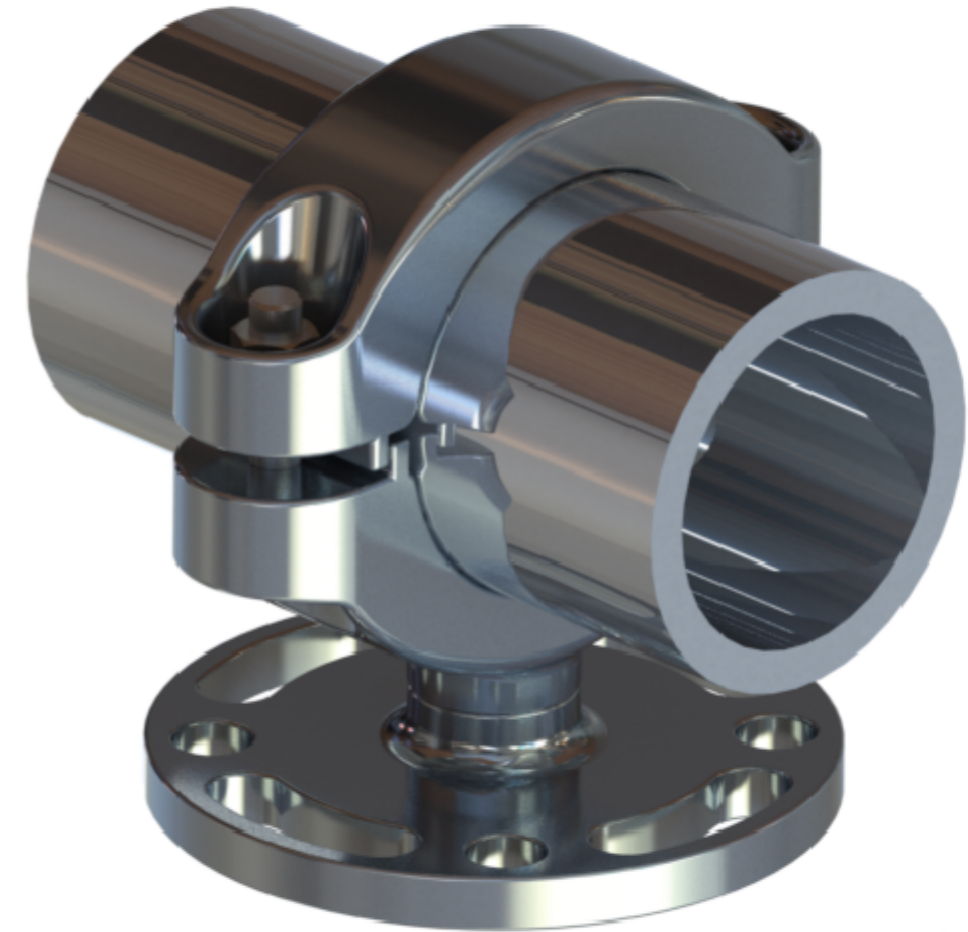


THIS DRAWING IS PROPERTY OF ARRUTI SUBESTACIONES AND MUST NOT BE COPIED, EXHIBITED OR FURNISHED WITHOUT THE WRITTEN CONSENT OF ARRUTI SUBESTACIONES



Un= kV
 In= A
 Icc= kA/s



6	0	LOCK WASHERS	STAINLESS STEEL	ASME B18.22.1	
5	2	BOLTS M12/50	STAINLESS STEEL	ASME B18.21.1	
4	2	NUTS M12	STAINLESS STEEL	ASME B18.2.1	
A=	3	1	SUPPORT	ALUMINUM AL-7SI 0,6MG	ASME B18.2.2
B=	2	1	COVERS	ALUMINUM AL-7SI 0,6MG	EN AC 42200
C=	1	1	BODY	ALUMINUM AL-7SI 0,6MG	EN AC 42200
D=	Nº	QTY	DENOMINATION	MATERIAL	STANDARD

ITEM Nº: 1

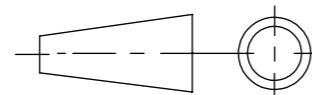
DATE: 10/05/2021

TORQUE: 5kg.m

DRAWING UNITS: MM(INCHES)

PROYECT:

DIMENSION TYPE ISO 8062



FIRST ANGLE PROJECTION

CHARACTERISTIC

SCALE: 2:5

DRAWN BY: I.O.

CHECKED BY: D.A.

DOC. TYPE: Sales

MPB1-100127

STRAIGHT SUPPORT FIXED TUBE AL. 100
 MOUNTED ON INSULATOR

WWW.GRUPOARRUTI/EN /SUBESTACIONES

SUBESTACIONES@ARRUTI.COM



Arruti Substations